
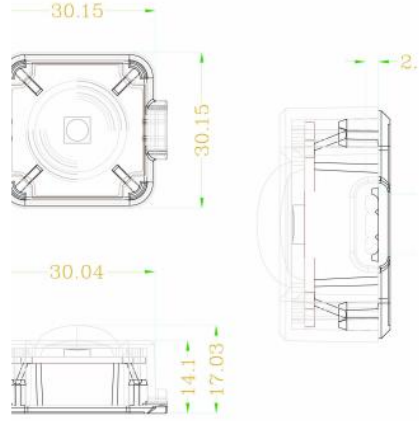


## **RL-30mm-ICRGB**

### Specifications

Picture	size	Parameters	
			
		<b>Lamp power</b>	1.0W
		<b>IC Chip</b>	UCS1903B
		<b>LED Type</b>	RGB 5056 LED
		<b>LEDs number</b>	1
		<b>Color</b>	RGB addressable
		<b>IP rating</b>	IP67
		<b>Beam angle</b>	≥140°
		<b>Lifespan</b>	≥50000h

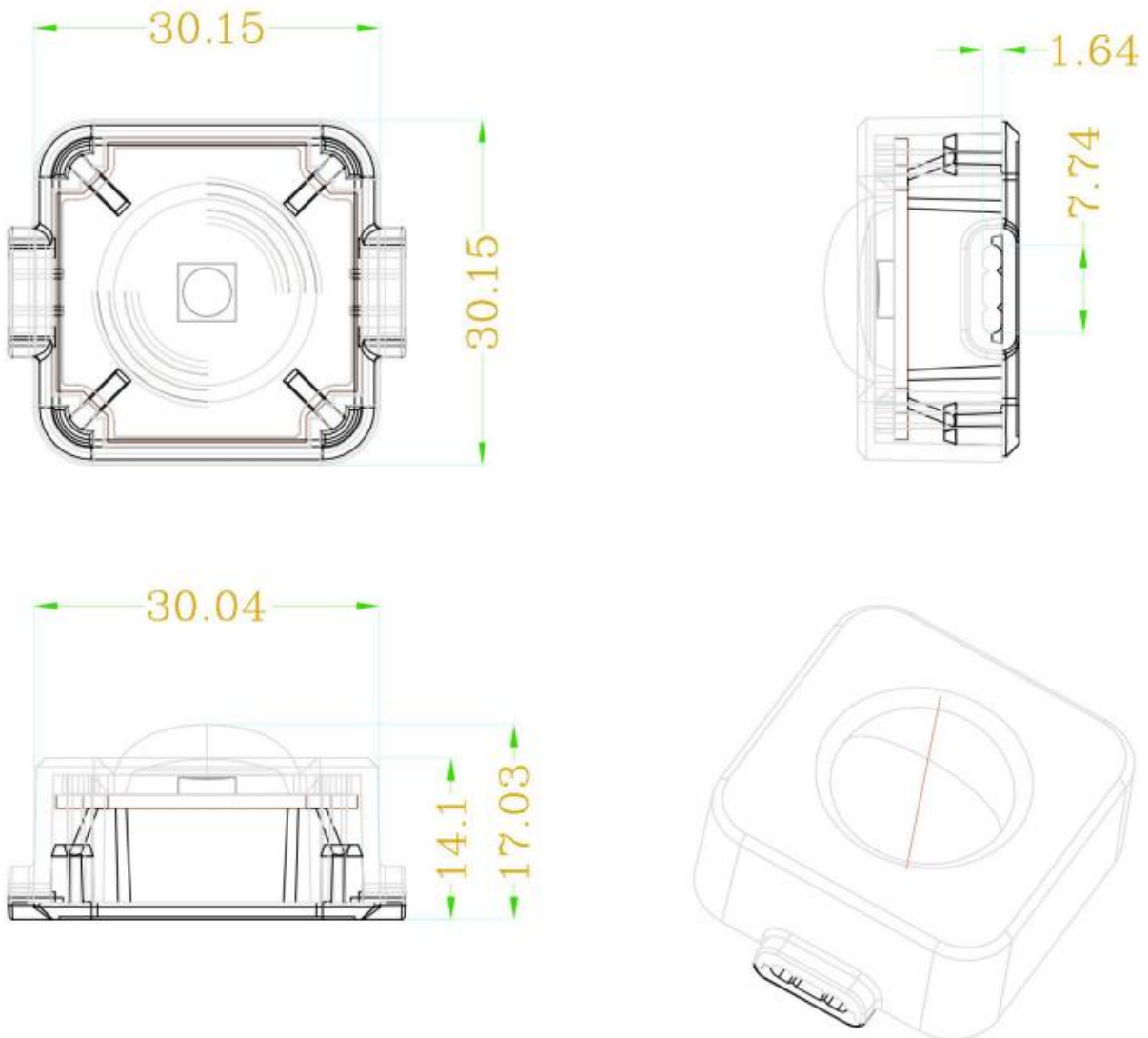
### Features

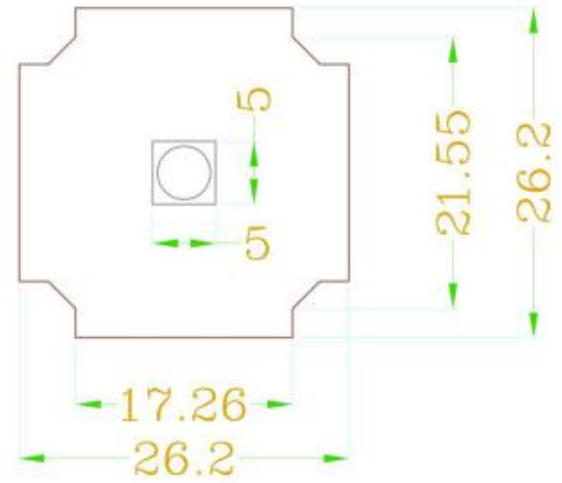
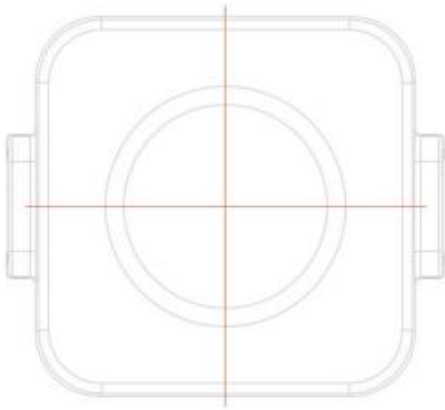
- ❖ Voltage & power :24V 1.0W/pcs.
  - ❖ LED quantity:1pcs RGB smd 5056 led .
  - ❖ IC Chip set :UCS1903B (TTL control).
  - ❖ The product uses SMD5056 high-brightness lamp beads with a large light-emitting angle.
  - ❖ Using original epistar lamp ,it has good light color consistency.
  - ❖ It has the characteristics of good light efficiency and high stability.
  - ❖ Made of transparent PC material with high waterproof level.
  - ❖ Ultrasonic machine casting technology seamless gluing to prevent insects, moisture and dust
  - ❖ The wires and shells are made of cold-resistant, UV-resistant, and flame-retardant materials.
  - ❖ Suitable for long-term outdoor use.
  - ❖ Luminous Size: 30mmX30mm.
  - ❖ Led color:RGB addressable .
  - ❖ Center distance :50cm(72pc per string with 36Meter ), customized length optional.
  - ❖ M12 Gold Plated Solid Needle, Metal Nut with AWG18 cable with 3pin plug .
  - ❖ Working temperaure:-20-60.
- Brightness:≥28800MCD.
- ❖ waterproof Grade:Ip667 for outdoor .
  - ❖ Packaging: 72pcs/string ;72pcs/bag ;720pcs /cartoon;
  - ❖ cartoon size: 48cmX48cmX28cm GW:15kg

**Installing:**

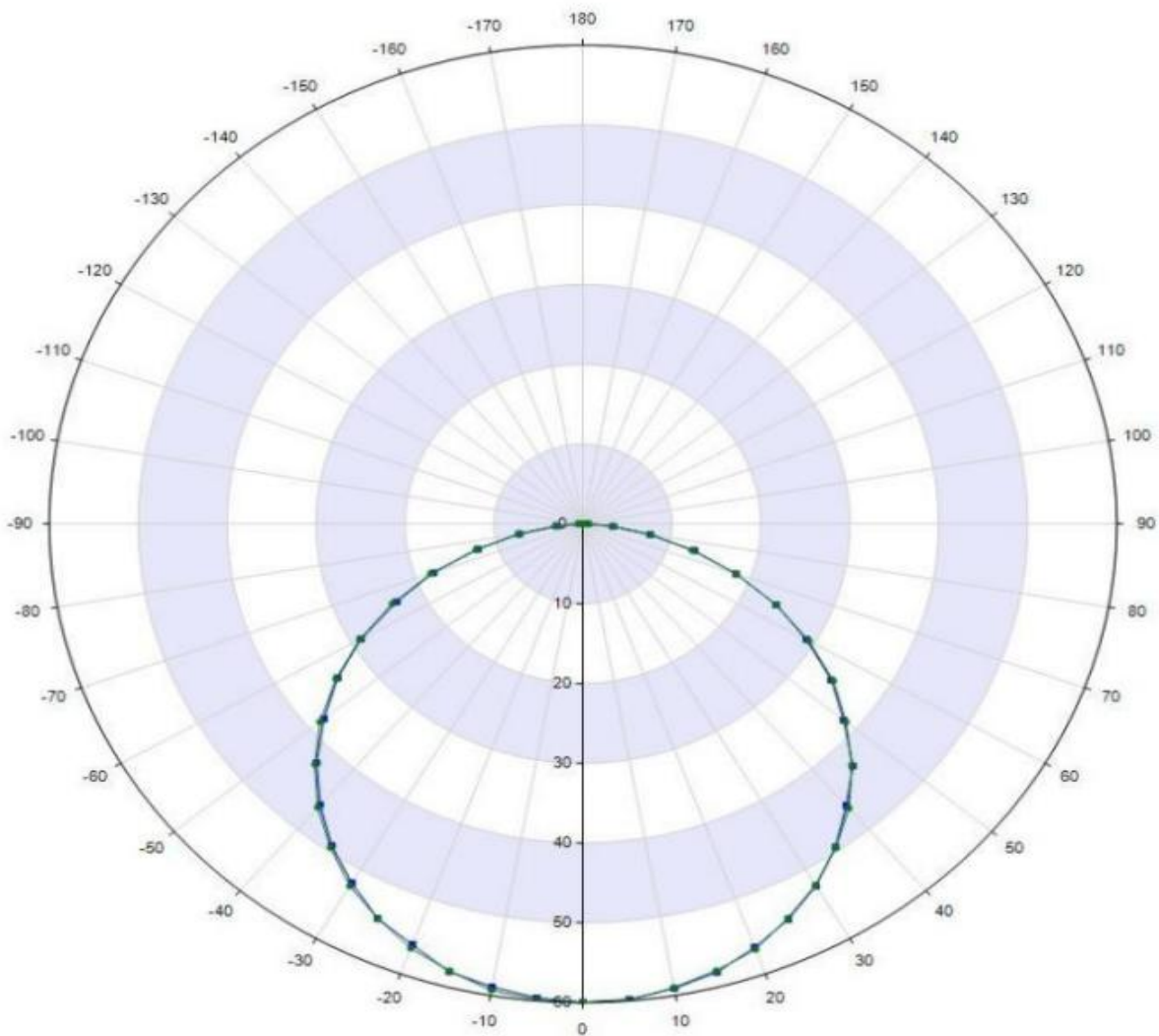
- 1,30mm led pixel light source is Directly fixed by glue on the bottom of led pixel lights.
- 2,Can used Aluminum profiles 30mm diameter of hole ,then fixed into the position of Profiles for 30mm led point light source ;
- 3, Can be fixed with screws and snap ,Then fixed into the wall ;

**Dimension**





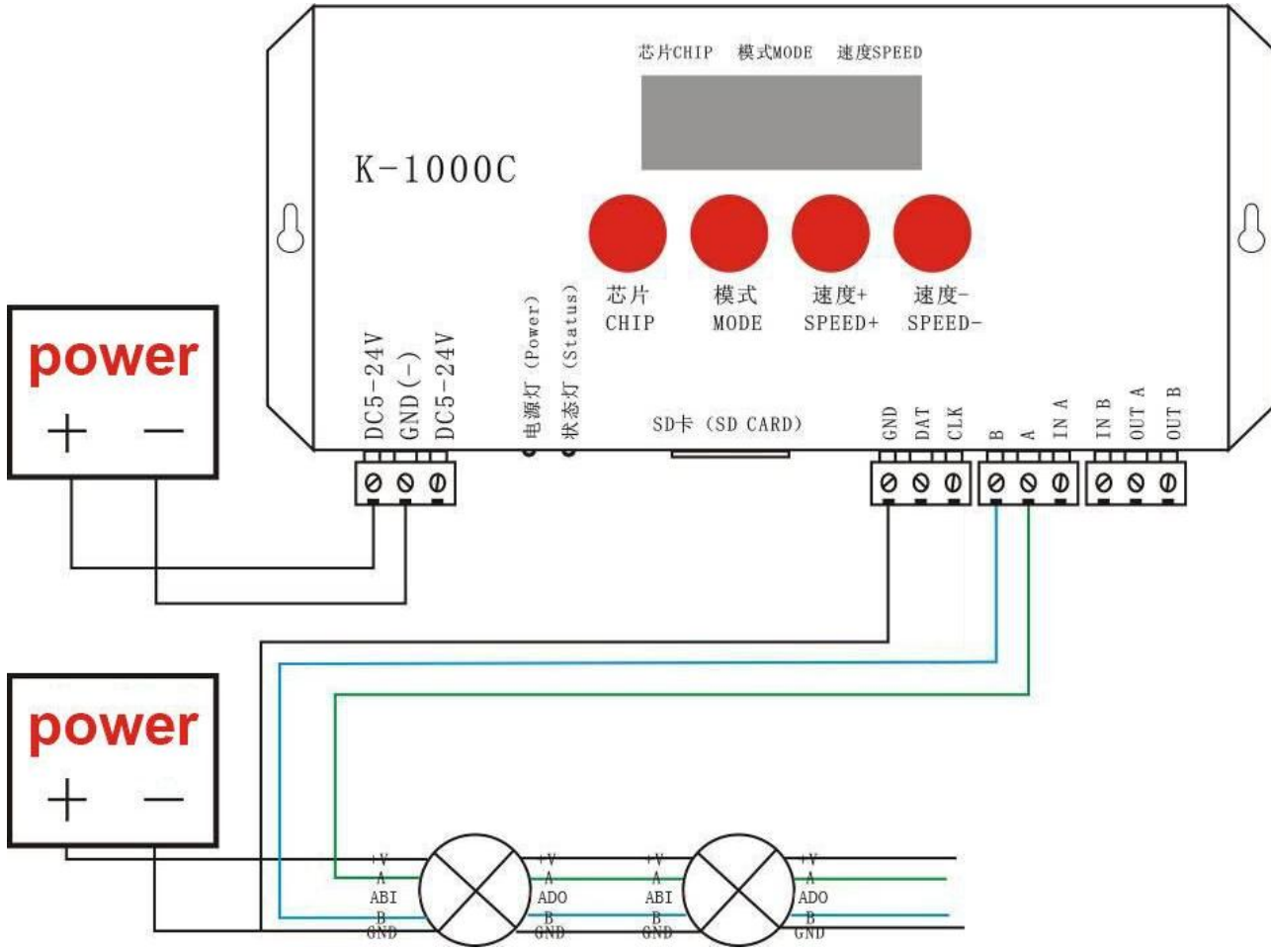
untitled.farFieldReceiver\_4 Intensity Slices  
强度 (cd)



## Reliability Test:

Test item	Test Conditions	Test time	Standard
Power test	Input Working 24V, temperature 25°C±5°C	30 min	Power 1W±10%
Temperature rise test	test input voltage: 24V with full white light	30 min	within 60°C
Drop test	free fall from a height of 1.2 meters	10 Times	appearance& functions is normal
Thermal shock	-40°C(30min) ~ 100°C (30min)	200 cycle	appearance& functions is normal
Salt spray test	5% sodium chloride	72Hour	Materials are corrosion-free &work as usual
Anti UV Test	UV-A, 350-400nm, 60°C	72Hour	The material no change&work as usual
Continuity test	On for 25s, off for 5s, on and off cycle	48H/5000 cycles	work as usual
Withstand voltage test	DC 500V	1 Times	work as usual
Anti-static test	3000V	1 time	work as usual
High and low temperature test	temperature -30°C-65°C, humidity 85%	72H	work as usual
Tension test	input/output cable, pull force 20KG or more	1 time	work as usual
Vibration test	Vibration test	4H	work as usual
IP protection level Ip68	50cm water depth	48H	work as usual
Flame retardant level	Refer to UL94-V0 standard	10 cycles.	Self-extinguishing when removed from fire, no burning objects falling.

**Connection:**



**Notes:**

1. Male connector (with pins) is signal input port, female connector (without pins) is signal output port.
  2. We suggest that every 40pcs lights connect to the power supply in parallel to avoid voltage decline.
  3. One controller port can only support up to 170 pixels if work with madrix ,if more than 170 pixels, you need to cascade with multiple controllers or more ports ,
  4. we need to set address for all dmx512 lighting ,
- Ect

**Application:**

Building outline &Floor lighting&Large shopping mall exterior walls& KTV entertainment venue&Hotel decoration&Wine Christmas, weddings, parties.ect

